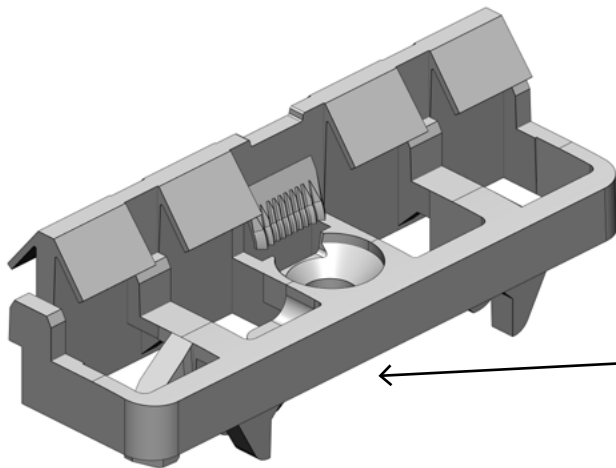
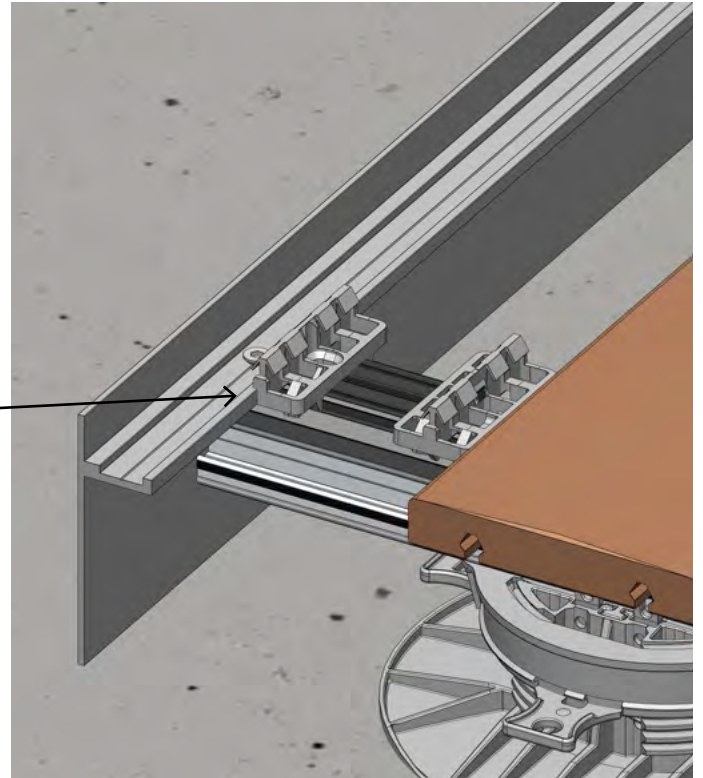


HALF-CLIP

Utilisation : For securing decking and cladding boards

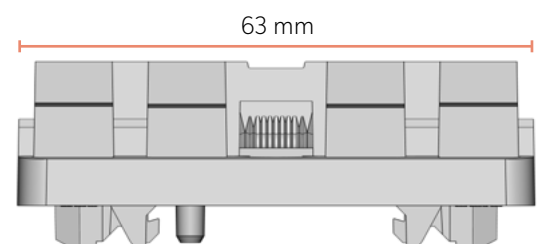
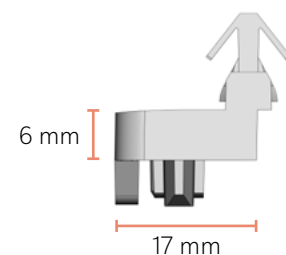


HALF-CLIP



HALF-CLIP

Material	Polyoxymethylene
Density (kg/m³)	1410
Colour	Black
Tensile stress at yield (MPa)	64
Fusion temperature °C	190-220
Tensile modulus (MPa)	2850
Coefficient of linear expansion (10⁻⁶/K)	110
Weight (g)	7,93

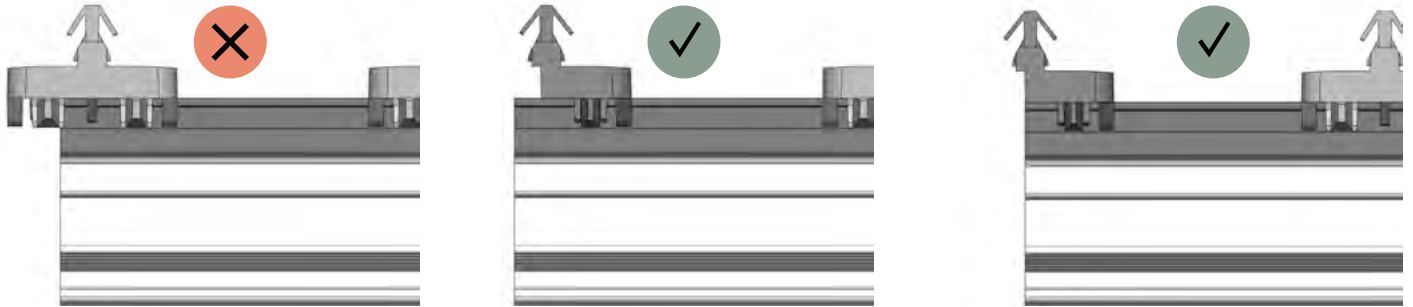


HALF-CLIP USE

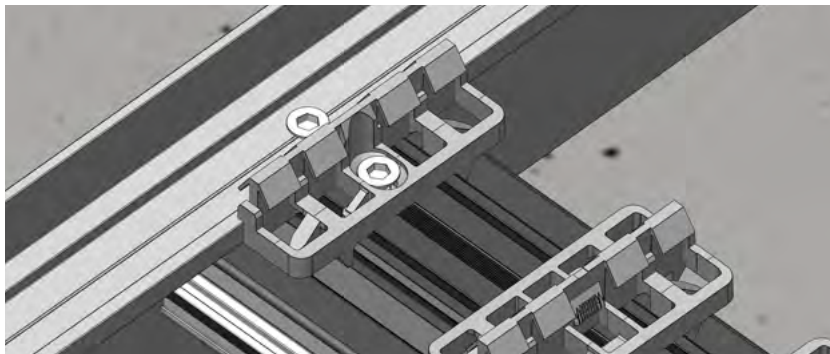
The half-clip is used when it is impossible to use a full clip.

In a decking project, there are several possible cases :

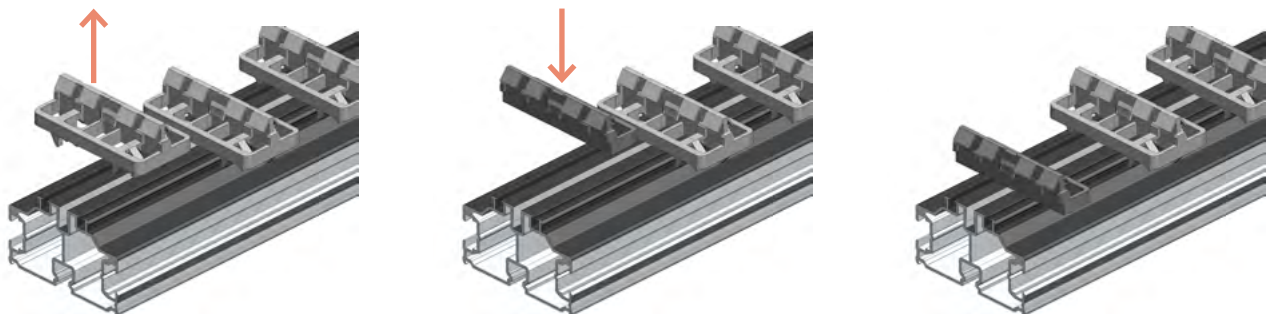
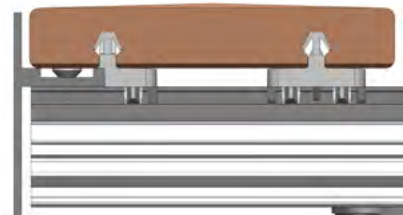
1. In the case of a cut rail: The clip can no longer rest entirely on the rail. The half-clip can be used provided it rests entirely on the rail.



2. Side finish with aluminium skirting.



When installing side finishes with aluminium skirting, the clip at the end of the rail may need to be replaced to avoid any collisions between the clip and the aluminium skirting.



In all cases, the half-clip must be secured to the rail using an M5/12 screw, ref 1241.

